

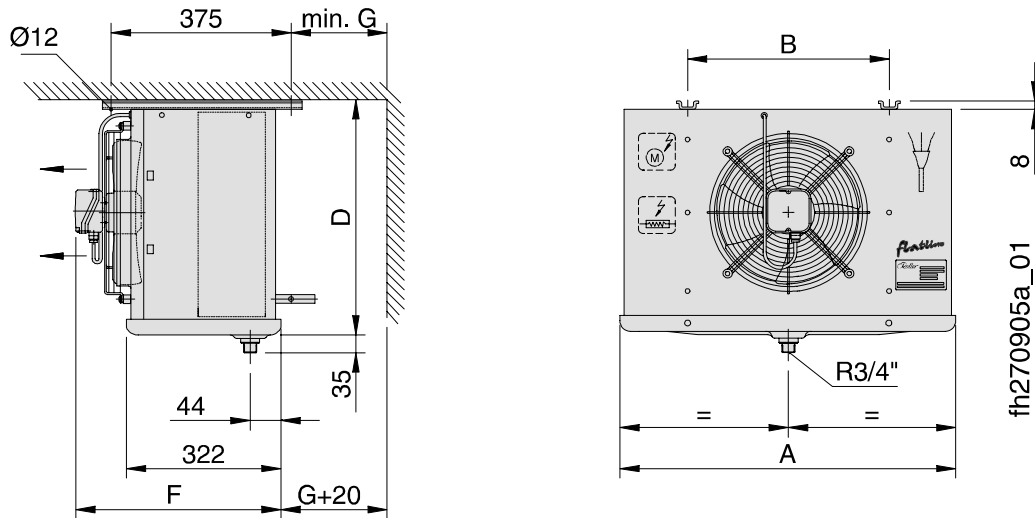
# Forced convection unit air cooler - flatline FHVT 611

Place of cooling:

Walter Roller GmbH & Co.  
Lindenstraße 27-31  
D - 70839 Gerlingen  
Phone: +49 (0)7156 2001 - 0  
Fax.: +49 (0)7156 2001 26



Version 5.5.2  
18.11.2004



## Dimensions, Tube volumes, Weights

| Dimensions |           |           |           |           |           |           |           | Tube vol.<br>[dm³] | Weight<br>[kg] | Connections     |                  |
|------------|-----------|-----------|-----------|-----------|-----------|-----------|-----------|--------------------|----------------|-----------------|------------------|
| A<br>[mm]  | B<br>[mm] | C<br>[mm] | D<br>[mm] | E<br>[mm] | F<br>[mm] | G<br>[mm] | H<br>[mm] |                    |                | Inlet<br>Ø [mm] | Outlet<br>Ø [mm] |
| 702        | 420       |           | 460       |           | 430       | 200       |           | 2.40               | 18             | 12.0 #          | 18.0             |

#: Multiple injection with Schrader valve at the outlet

## Electrical loads

| No. | Blade<br>Ø<br>[mm] | Power supply<br>[V, Hz] | Input<br>capacity<br>[W] | Current<br>[A] | No. of re-<br>volutions<br>[min⁻¹] | Electric defrost heating |             |              | El. aircondition |              |
|-----|--------------------|-------------------------|--------------------------|----------------|------------------------------------|--------------------------|-------------|--------------|------------------|--------------|
|     |                    |                         |                          |                |                                    | Coil<br>[W]              | Drip<br>[W] | Total<br>[W] | [W]              | Total<br>[W] |
| 1   | 300 S              | ~230 V 50/60 Hz         | 80/112                   | 0,36/0,48      | 1340/1460                          | 3x440                    | 1x440       | 1760         |                  |              |

## Capacity data

|        | Refrigerant | Capacity<br>P <sub>e</sub><br>[kW] | Evapora-<br>tion t <sub>e</sub><br>[°C] | Air inlet<br>t <sub>A1</sub><br>[°C] | DT1<br>[K] | Sur-<br>face<br>[m²] | Air<br>capacity<br>[m³/h] | Air<br>throw<br>[m] | Sound<br>power<br>[dB(A)] | Fin<br>spacing<br>[mm] |
|--------|-------------|------------------------------------|---|--------------------------------------|------------|----------------------|---------------------------|---------------------|---------------------------|------------------------|
| Result | R404A       | 1.51                               | -6.0                                    | 0.0                                  | 6.0        | 6.9                  | 1560                      | 5                   | 68                        | 6.0                    |

## Prices and accessories

|          |  |
|----------|--|
| FHVT 611 |  |
|          |  |
|          |  |
|          |  |

Price per unit:

inkl. mat. surcharges, without VAT

